

AZIP-64248

Wiz Sense

AZIGUARD PTZ Speed Dome Camera

- ▶ 4MP@25fps
- ▶ Starlight Technology
- ▶ 25X optical zoom
- ▶ 4.8-120mm, IR100m



Wiz Sense

- 1/2.8" 4Megapixel CMOS
- Powerful 25x optical zoom
- Starlight technology
- Max.25/30fps@4M
- Perimeter protection
- Support PoE+
- IR distance up to 100m
- SMD PLUS
- IP66



Technical Specification

Camera

| | |
|----------------------------|--|
| Image Sensor | 1/2.8" STARVIS™ CMOS |
| Pixel | 4MP |
| Max. Resolution | 2560 (H) × 1440 (V) |
| ROM | 4GB |
| RAM | 1GB |
| Electronic Shutter Speed | 1/1 s–1/30,000 s |
| Scanning System | Progressive |
| Min. Illumination | Color: 0.005Lux@F1.6 B/W: 0.0005Lux@F1.6 0Lux@F1.6 (IR light on) |
| Illumination Distance | 100 m (328.08 ft) |
| Illuminator On/Off Control | Zoom Prio/Manual/SmartIR |
| Illuminator Number | 4 |

Lens

| | | | | |
|----------------------|---|------------------------|-----------------------|----------------------|
| Focal Length | 4.8 mm–120 mm | | | |
| Max. Aperture | F1.6–F4.0 | | | |
| Field of View | H: 60.0°–2.5°; V: 30.8°–2.2°; D: 66.7°–2.9° | | | |
| Optical Zoom | 25x | | | |
| Focus Control | Auto/Semi-Auto/Manual | | | |
| Close Focus Distance | 0.1 m–1.5 m (0.33 ft–4.92 ft) | | | |
| Iris Control | Auto/Manual | | | |
| DORI Distance | Detect | Observe | Recognize | Identify |
| | 2540 m (8333.33 ft) | 1016 m (3333.33 ft) | 508 m (1666.67 ft) | 254 m (833.33 ft) |

PTZ

| | |
|----------------------|---|
| Pan/Tilt Range | Pan: 0°–360° (endless) Tilt: -15°–90° (auto flip 180°) |
| Manual Control Speed | Pan: 0.1°–200°/s Tilt: 0.1°–120°/s |
| Preset Speed | Pan: 240°/s Tilt: 200°/s |
| Presets | 300 |
| Tour | 8 (up to 32 presets per tour) |
| Pattern | 5 |
| Scan | 5 |
| Speed Adjustment | Support |
| Power-off Memory | Support |
| Idle Motion | Preset/Tour/Pattern/Scanning |
| Protocol | DH-SD Pelco-P/D (auto recognition) |



AZIP-64248

Wiz Sense

AZIGUARD PTZ Speed Dome Camera

- ▶ 4MP@25fps
- ▶ Starlight Technology
- ▶ 25X optical zoom
- ▶ 4.8-120mm, IR100m

General Intelligence

| | |
|---------------|--|
| Event Trigger | Motion detection, Video tampering, Scene changing, Network disconnection, IP address conflict, Illegal Access, Storage anomaly |
| IVS | Object Abandoned/Missing |

Artificial Intelligence

| | |
|----------------------|--|
| Perimeter Protection | Tripwire and intrusion. Support alarm triggering by target types (human and vehicle). Support filtering false alarms caused by animals, rustling leaves, bright lights, etc. |
| SMD PLUS | Support |
| Face Detection | Support |
| Smart Capture | Support human, motor vehicle and non-motor vehicle image capture. |

Video

| | |
|--------------------------------|--|
| Compression | H.265+/H.265/H.264+/H.264/MJPEG (sub stream) |
| Streaming Capability | 3 streams |
| Resolution | 4M (2560 x 1440); 3M (2048 x 1536); 1080P (1920 x 1080); 1.3M (1280 x 960); 720P (1280 x 720); D1 (704 x 576/704 x 480); CIF (352 x 288/352 x 240) |
| Frame Rate | Main stream: 4MP/3MP/1080P/1.3MP/720P (1–25fps) Sub stream 1: D1/CIF (1–25fps) Sub stream 2: 1080P/1.3M/720P (1–25fps) |
| Bit Rate Control | Variable/Constant |
| Bit Rate | H.265/H.264: 3 kbps–20480 kbps |
| Day/Night | Auto(ICR)/Color/B/W |
| BLC | Support |
| WDR | 120 dB |
| HLC | Support |
| White Balance | Auto/Indoor/Outdoor/Track/Manual/Sodium lamp/ Natural light/Street lamp |
| Gain Control | Auto/Manual |
| Noise Reduction | Ultra DNR (2D/3D) |
| Motion Detection | Support |
| Region of Interest | Support |
| Electronic Image Stabilization | Support |
| Electronic Defog | Support |
| Digital Zoom | 16x |
| Flip | 180° |
| Privacy Masking | Up to 24 areas, and up to 8 areas in the same view |

Audio

| | |
|-------------|---|
| Compression | G.711a; G.711Mu; AAC; G.722.1; G.726; MPEG2-Layer2; G.729 |
|-------------|---|

Network

| | |
|----------|----------------------|
| Ethernet | RJ-45 (10/100Base-T) |
|----------|----------------------|

| | |
|---------------------|--|
| Protocol | IPv4; IPv6; HTTP; HTTPS; SSL; TCP/IP; UDP; UPnP; ICMP; IGMP; SNMPv1/v2c/v3(MIB-2); ARP; RTCP; RTSP; RTP; SMTP; NTP; DHCP; DNS; PPPOE; DDNS; FTP; IP Filter; QoS; Bonjour; 802.1x |
| Interoperability | ONVIF Profile S&G&T; CGI |
| Streaming Method | Unicast/Multicast |
| User/Host | 20 |
| Storage | NAS; Local PC; Micro SD card (256G) |
| Browser | IE7 and newer versions Chrome 45 and earlier versions Firefox 52 and earlier versions Safari (no version restrictions) |
| Management Software | Smart PSS; DSS; DMSS |
| Mobile Phone | IOS/Android |

Certification

| | |
|----------------|---|
| Certifications | CE: EN55032/EN55024/EN50130-4 FCC: Part15 subpartB, ANSI C63.4-2014 UL: UL62368-1+CAN/CSA C22.2.No. 62368-1 |
|----------------|---|

Port

| | |
|--------------|-----|
| Audio Input | 1 |
| Audio Output | 1 |
| Alarm I/O | 2/1 |

Power

| | |
|-------------------|-----------------------------|
| Power Supply | DC 12V/3A PoE+ (802.3at) |
| Power Consumption | 13W 21W (IR on) |

Environment

| | |
|-----------------------|---|
| Operating Temperature | -40°C to +70°C (-40°F to +158°F) |
| Operating Humidity | ≤95% |
| Protection | IP66; TVS 6000V lightning proof; Surge protection |

Structure

| | |
|--------------|-----------------------------------|
| Dimensions | Φ160 mm × 295 mm (6.30" × 11.61") |
| Net Weight | 3 kg (6.61 lb) |
| Gross Weight | 4.8kg (10.58lb) |

Accessories

Included:



PFB305W
Wall Mount Bracket

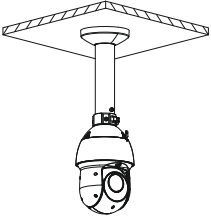
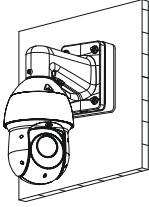
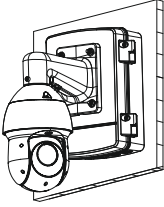
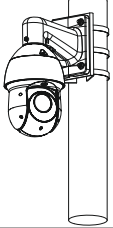
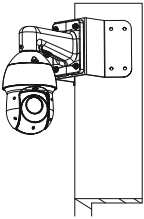
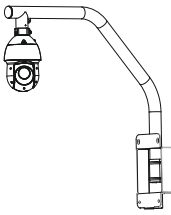
AZIP-64248

Wiz Sense

AZIGUARD PTZ Speed Dome Camera

- ▶ 4MP@25fps
- ▶ Starlight Technology
- ▶ 25X optical zoom
- ▶ 4.8-120mm, IR100m

Dimensions (mm [inch])

| Ceiling Mount | Junction Mount | Power Box Mount |
|--|--|--|
| PFA111+PFB300C | PFB305W + PFA120 | PFB305W + PFA140 |
|  |  |  |
| Pole Mount | Corner Mount | Parapet Mount |
| PFB305W+PFA150 | PFB305W+PFA151 | PFA111+PFB303S |
|  |  |  |

