

AZIP-44231-2.8mm

AZIP-44232-3.6mm

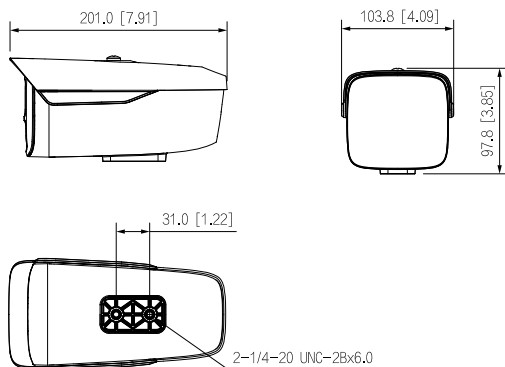
- ▶ IP bullet video camera
- ▶ 4MP@25fps
- ▶ 2.8mm/3.6mm
- ▶ Illumination distance 30m



- 4-MP 1/1.8" CMOS image sensor, low illuminance, and high definition image.
- Outputs max. 4 MP (2560 × 1440)@25 fps.
- H.265 codec, high compression rate, ultra-low bit rate.
- Built-in 4 warm light LED, and the max.illumination distance is 30 m.
- Illumination overexposure remover (face priority), rotation mode, WDR, 3D NR, HLC, BLC, digital watermarking, applicable to various monitoring scenes.
- Intelligent monitoring: Intrusion, tripwire.
- ROI, SMART H.264 +/H.265 +, flexible coding, applicable to various bandwidth and storage environments.
- Alarm: 2 in, 2 out; audio: 1 in, 1 out; supports max. 256G Micro SD card; built in MIC.
- 12 VDC/PoE power supply.
- IP67 protection.



Dimensions (mm[inch])



Technical Specification

Camera

Image Sensor	1/1.8" CMOS
Max. Resolution	2560 (H) × 1440 (V)
ROM	128 MB
RAM	128 MB
Scanning System	Progressive
Electronic Shutter Speed	Auto/Manual 1/3 s–1/100,000 s
Min. Illumination	0.0005lux@F1.0 (Color, 30 IRE)
S/N Ratio	>56 dB
Illumination Distance	30 m (98.43 ft) (Warm light)
Illuminator On/Off Control	Auto; Manual
Illuminator Number	4 (Warm light)

Lens

Lens Type	Fixed-focal				
Lens Mount	M16				
Focal Length	2.8 mm 3.6 mm				
Max. Aperture	2.8 mm: F1.0 3.6 mm: F1.0				
Field of View	2.8 mm: H: 112°; V:60°; D:135° 3.6 mm: H: 95°; V:51°; D:116°				
Iris Control	Fixed				
Close Focus Distance	2.8 mm: 1.6 m (5.25 ft) 3.6 mm: 2.7 m (8.59 ft)				
DORI Distance	Lens	Detect	Observe	Recognize	Identify
	2.8 mm	58.2 m (109.94 ft)	23.3 m (76.44 ft)	11.6 m (38.06 ft)	5.8 m (41.99 ft)
3.6 mm	70.3 m (230.64 ft)	28.1m (92.19 ft)	14.1 m (46.26 ft)	7.0 m (22.97 ft)	

Smart Event

IVS	Intrusion; tripwire
-----	---------------------

Video

Video Compression	H.265; H.264; H.264B; MJPEG (Only supported by the sub stream)
Smart Codec	Smart H.265 +; Smart H.264 +
Video Frame Rate	Main stream: 2560 × 1440@(1–25/30 fps) sub stream: 704 × 576@(1–25 fps)/704 × 480@(1–30 fps) *The values above are the max, frame rates of each stream; for multiple streams, the values will be subjected to the total encoding capacity.
Stream Capability	2 streams
Resolution	4M (2560 × 1440); 3M (2304 × 1296); 1080p (1920 × 1080); 1.3 M (1280 × 960); 720p (1280 × 720); D1 (704 × 576/704 × 480); VGA (640 × 480); CIF (352 × 288/352 × 240)

AZIP-44231-2.8mm

AZIP-44232-3.6mm

- ▶ IP bullet video camera
- ▶ 4MP@25fps
- ▶ 2.8mm/3.6mm
- ▶ Illumination distance 30m

Bit Rate Control	CBR/VBR
Video Bit Rate	H.264: 32 kbps–6144 kbps H.265: 12 kbps–6144 kbps
Day/Night	Color/B/W
BLC	Yes
HLC	Yes
WDR	120 dB
White Balance	Auto; natural; street lamp; outdoor; manual; regional custom
Gain Control	Manual; Auto
Noise Reduction	3D NR
Motion Detection	OFF/ON (4 areas, rectangular)
Region of Interest (RoI)	Yes (4 areas)
Smart Illumination	Yes
Image Rotation	0°/90°/180°/270° (Support 90°/270° with 2560 × 1440 resolution and lower)
Mirror	Yes
Privacy Masking	4 areas

Audio

Built-in MIC	Yes
Audio Compression	G.711a; G.711Mu; G.726; PCM

Alarm

Alarm Event	No SD card; SD card full; SD card error; network disconnection; IP conflict; illegal access; motion detection; video tampering; tripwire; intrusion; audio detection; voltage detection; external alarm; SMD (Human); security exception
-------------	--

Network

Network Port	RJ-45 (10/100 Base-T)
SDK and API	Yes
Network Protocol	IPv4; IPv6; HTTP; TCP; UDP; ARP; RTP; RTSP; RTCP; RTMP; SMTP; FTP; SFTP; DHCP; DNS; DDNS; QoS; UPnP; NTP; Multicast; ICMP; IGMP; NFS; PPPoE; Bonjour
Interoperability	ONVIF (Profile S/Profile G/Profile T); CGI; P2P
User/Host	20 (Total bandwidth: 48 M)
Storage	FTP; SFTP; Micro SD card (support max. 256 GB); NAS
Browser	IE; Chrome; Firefox
Management Software	Smart PSS; DSS; DMSS
Mobile Client	iOS; Android
Cyber Security	Video encryption; Firmware encryption; Configuration encryption; Digest; WSSE; Account lockout; Security logs; IP/MAC filtering; Generation and importing of X.509 certification; syslog; HTTPS; 802.1x; Trusted boot; Trusted execution; Trusted upgrade

Network Port	RJ-45 (10/100 Base-T)
SDK and API	Yes
Network Protocol	IPv4; IPv6; HTTP; TCP; UDP; ARP; RTP; RTSP; RTCP; RTMP; SMTP; FTP; SFTP; DHCP; DNS; DDNS; QoS; UPnP; NTP; Multicast; ICMP; IGMP; NFS; PPPoE; Bonjour
Interoperability	ONVIF (Profile S/Profile G/Profile T); CGI; P2P
User/Host	20 (Total bandwidth: 48 M)
Storage	FTP; SFTP; Micro SD card (support max. 256 GB); NAS
Browser	IE; Chrome; Firefox
Management Software	Smart PSS; DSS; DMSS
Mobile Client	iOS; Android
Cyber Security	Video encryption; Firmware encryption; Configuration encryption; Digest; WSSE; Account lockout; Security logs; IP/MAC filtering; Generation and importing of X.509 certification; syslog; HTTPS; 802.1x; Trusted boot; Trusted execution; Trusted upgrade

Port

Audio Input	1 channel (RCA port)
Audio Output	1 channel (RCA port)
Alarm Input	2 channels in: 5mA 3V–5VDC
Alarm Output	2 channels out: 300mA 12VDC

Power

Power Supply	12 VDC/PoE (802.3af)
Power Consumption	Basic: 1.7 W (12 VDC); 2.6 W (PoE) Max. (WDR + warm light + max. stream + IVS + H.265): 5.1 W (12 VDC); 6.5 W (PoE)

Environment

Operating Temperature	–40 °C to +60 °C (–40 °F to +140 °F)
Operating Humidity	≤95%
Storage Temperature	–40 °C to +60 °C (–40 °F to +140 °F)
Protection	IP67

Structure

Casing Material	Metal + plastic
Product Dimensions	201.0 mm × 103.8 mm × 97.8 mm (7.91" × 4.08" × 3.85") (L × W × H)
Net Weight	0.70 kg (1.54 lb)
Gross Weight	0.87 kg (1.92 lb)

